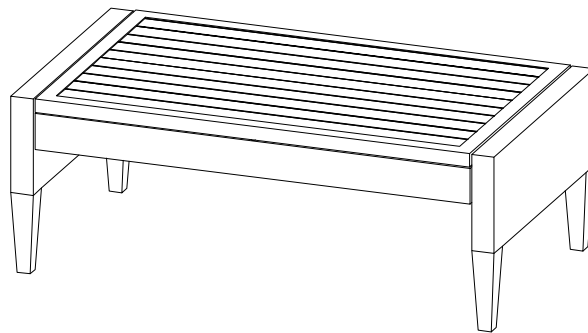
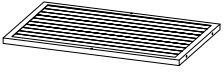
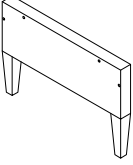
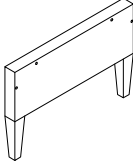
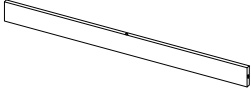




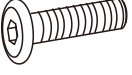


Outdoor Wicker Coffee Table
CO7170



PART LIST

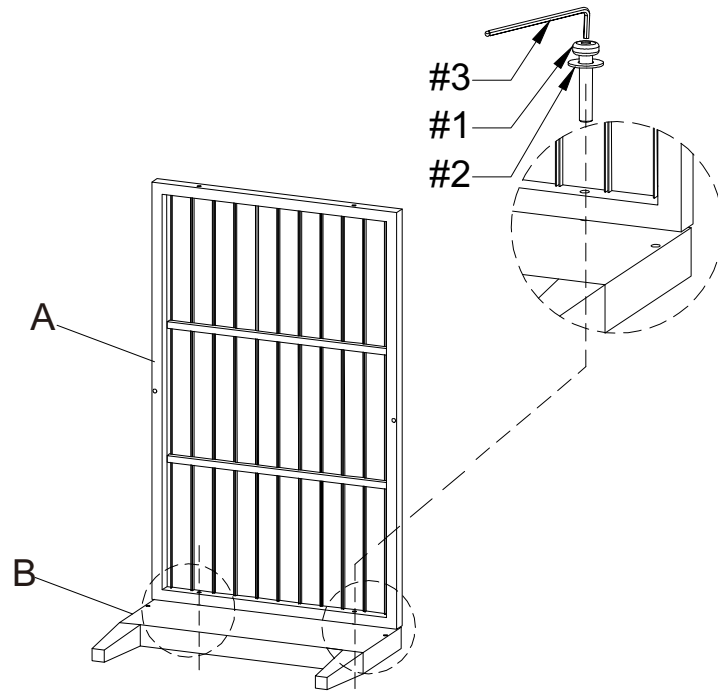
<p>A</p> 	<p>B</p> 	<p>C</p> 	<p>D</p> 
<p>Top Panel 1 PC</p>	<p>Left Panel 1 PC</p>	<p>Right Panel 1 PC</p>	<p>Side Panel 2 PCS</p>




HARDWARE LIST

<p>#1</p>  <p>M6*35mm</p>	<p>#2</p>  <p>M6mm</p>	<p>#3</p>  <p>M6mm</p>
<p>Bolt 10 PCS (Extra1)</p>	<p>Flat Washer 10 PCS (Extra1)</p>	<p>Allen Wrench 1 PC</p>

Step 1. Lay left panel (part B) upside down on a soft flat surface, such as carpet, as shown below. Attach top panel (part A) to left panel (part B) using bolts (part #1), flat washers (part #2) and allen wrench (part #3).

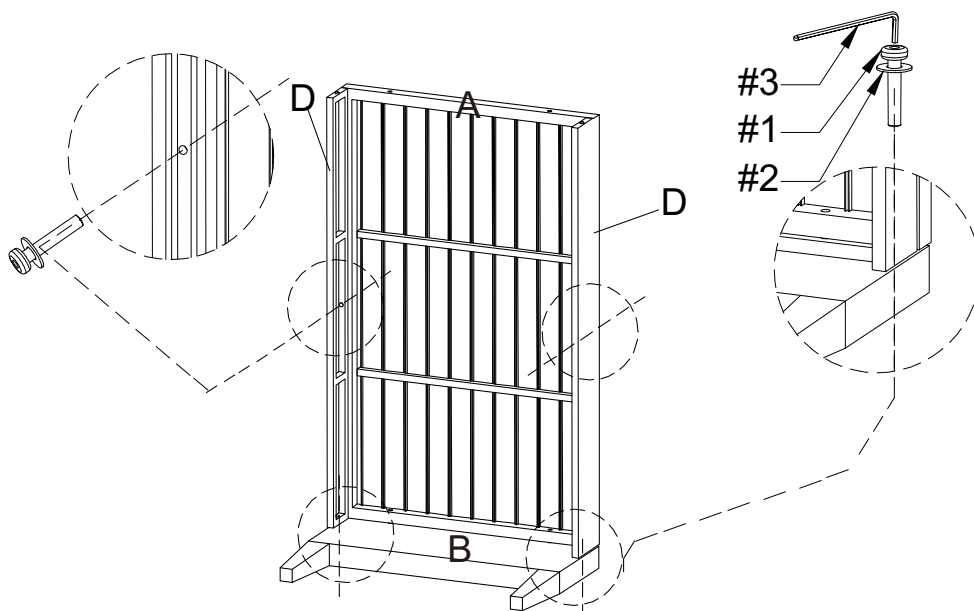
NOTE: Please do not fully tighten bolts until unit is fully assembled.






- | | | |
|----|---|----|
| #1 |  | x2 |
| #2 |  | x2 |
| #3 |  | x1 |

Step 2. Attach side panels (part D) to left panel (part B) and top panel (part A) using bolts (part #1), flat washers (part #2) and allen wrench (part #3).

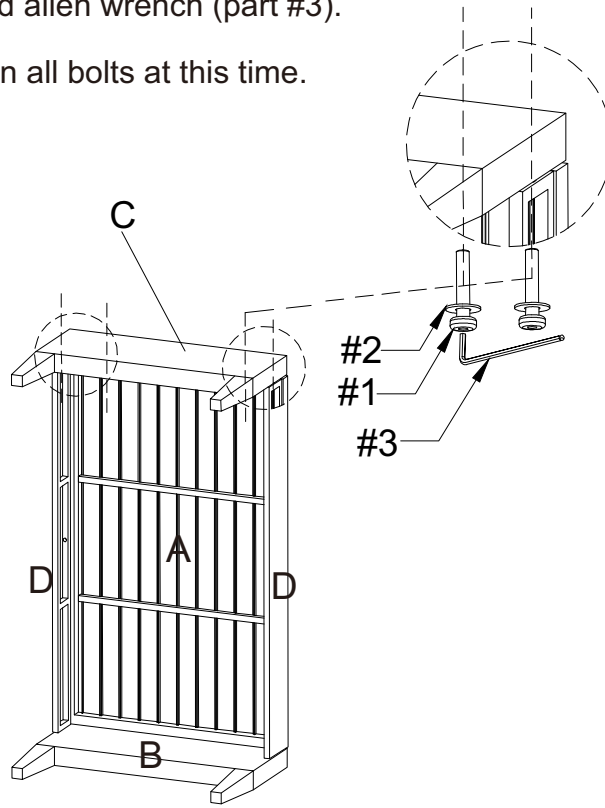
NOTE: Please do not fully tighten bolts until unit is fully assembled.






- | | | |
|----|---|----|
| #1 |  | x4 |
| #2 |  | x4 |
| #3 |  | x1 |

Step 3. Attach right panel (part C) to side panels (part D) and top panel (part A) using bolts (part #1), flat washers (part #2) and allen wrench (part #3).

NOTE: Please fully tighten all bolts at this time.



- | | | |
|----|---|----|
| #1 |  | x4 |
| #2 |  | x4 |
| #3 |  | x1 |

Step 4. Carefully turn unit upright.

